

# FAA/PMA

REV.	DESCRIPTION	DATE	APPROVED
1	RELEASED		
2	REMOVED ITEM 12, OVERLAY - NAMEPLATE	02/10/10	RS
3	MAX WEIGHT WAS 6.5 OZ	99/04/23	RS
4	QTY OF ITEMS 8 & 10 WAS 5	00/09/18	RS
5	ITEM 5 WAS 42765-010	98/12/01	RS

CONSTRUCTION  
MAIN CONTACTS  
CONFIGURATION  
VOLTAGE-NOMINAL  
CURRENT-RES.

AUX. CONTACTS  
CONFIGURATION  
VOLTAGE  
CURRENT-RES.

ENVIRONMENTAL DATA

COIL DATA  
DUTY CYCLE  
NOM. COIL VOLTAGE  
PICKUP MAX.  
DROPOUT VOLTAGE  
COIL CURRENT (HOLD)  
OPERATE TIME AT 28 VDC 25°C  
RELEASE TIME AT 28 VDC 25°C

ENVIRONMENTAL DATA  
AMBIENT TEMP.  
ALTITUDE  
SHOCK  
VIBRATION  
ACCELERATION

LIFE ELECTRICAL  
LIFE MECHANICAL  
WEIGHT MAX.

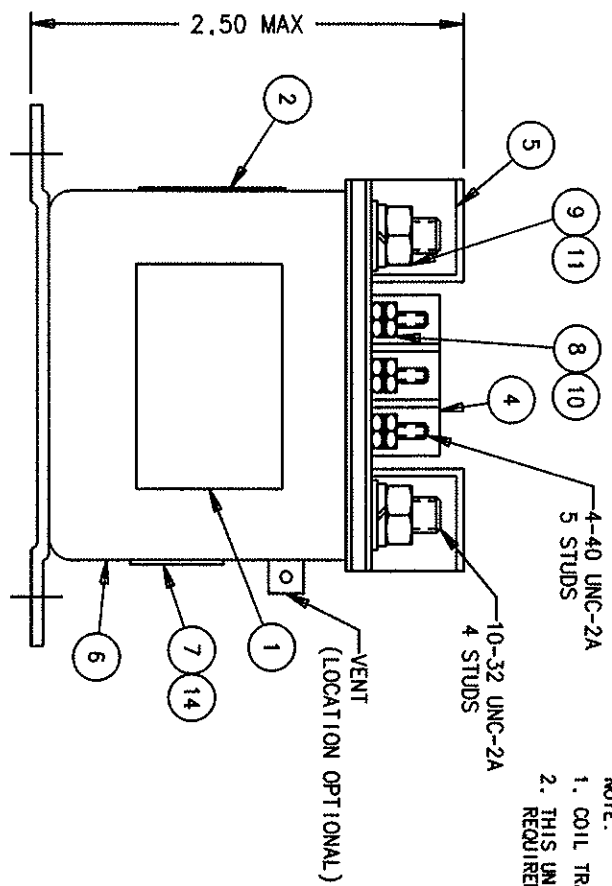
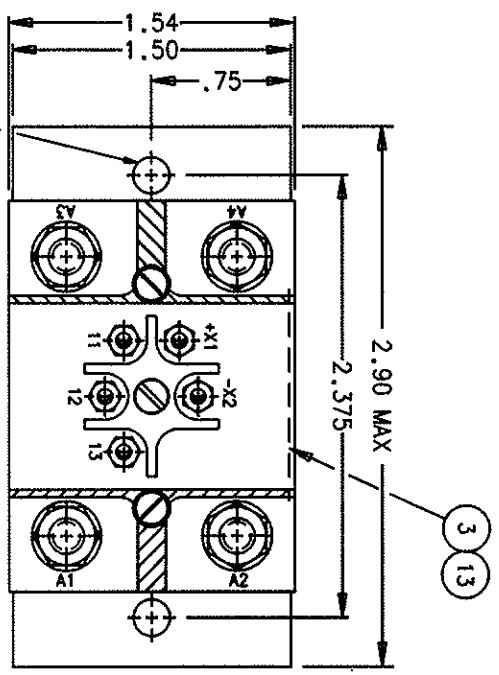
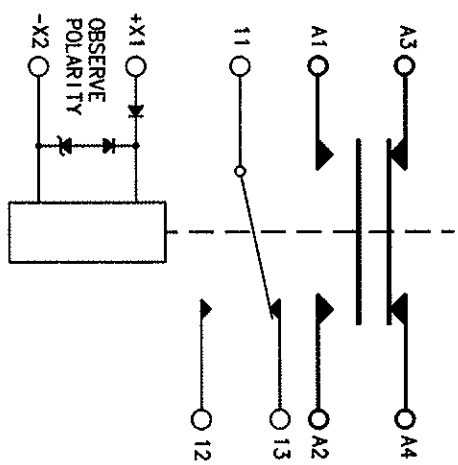
50,000 CYCLES MIN.  
100,000 CYCLES MIN.  
7.0 OZ.

GASKET SEALED, VENTED  
SPDT SIDE STABLE  
28 VDC  
60 AMP

SPDT  
28 VDC OR 115 VAC 400 HZ  
5 AMP

CONTINUOUS  
28 VDC  
15 VDC AT 25°C  
2.5 - 6.5 VDC AT 25°C  
2 AMP MAX. AT 28 VDC AT 25°C  
TYPICAL 10 MS  
MAX 20 MS  
TYPICAL 8 MS  
MAX. 15 MS

-55°C TO +71°C  
50,000 FT. MAX.  
25 G'S MAX. 6 TO 9 MILLISECONDS  
10 G'S SINE



- NOTE:  
1. COIL TRANSIENT VOLTAGE LIMITED TO ± 45 VOLTS  
2. THIS UNIT MEETS THE MATERIAL AND WORKMANSHIP REQUIREMENTS OF MIL-R-6106

REF.	QTY	PART OR IDENTIFYING NO.	NOMENCLATURE OR DESCRIPTION	FSK NO.	DEAGING OR SPECIFICATION	MATERIAL OR NOTE
14	1	39529-024	OVERLAY			
13	1	39529-007	OVERLAY			
12						
11	4	51810-054	WASHER - LOCK, NO.10, SPLIT			BRONZE
10	10	51804-014	WASHER - LOCK, NO.4, SPLIT			BRONZE
9	4	50410-054	NUT 10-32 X 5/16 X 9/64 HEX			BRASS
8	10	50404-044	NUT 4-40 X 5/32 X 1/16 HEX			BRASS
7	1	58400-168	PLATE - FAA/PMA			
6	1	42559-010	CONTACTOR ASSEMBLY - PRIMARY			
5	2	42765-040	TERMINAL SHIELD ASSEMBLY			
4	1	42775-010	TERMINAL SHIELD ASSEMBLY			
3	1	42775-091	PLATE - WIRING DIAGRAM			
2	1	25695-001	PLATE - WARNINGS			
1	1	16043-001	PLATE - NAME			

CANADAIR

UNLESS OTHERWISE SPECIFIED DIMENSIONS ARE IN INCHES TOLERANCES OR

2 PL. DEC.13 PL. DEC. JANGLES

±.06 ±.010 ±1°

SCALE 1/1 SHEET

DR BY CSC 02/10/11

CHK BY 02/10/11

ENGR 02/10/11

SIZE 74063

CODE IDENT

DWG NO. NN-233C

REF TYCO P/N 0-1616095-2

TYCO Electronics  
131 Horton Division, 175 N. Diamond Street, Mansfield, Ohio 44902

CONTACTOR - D.C. SPDT  
60 AMPS